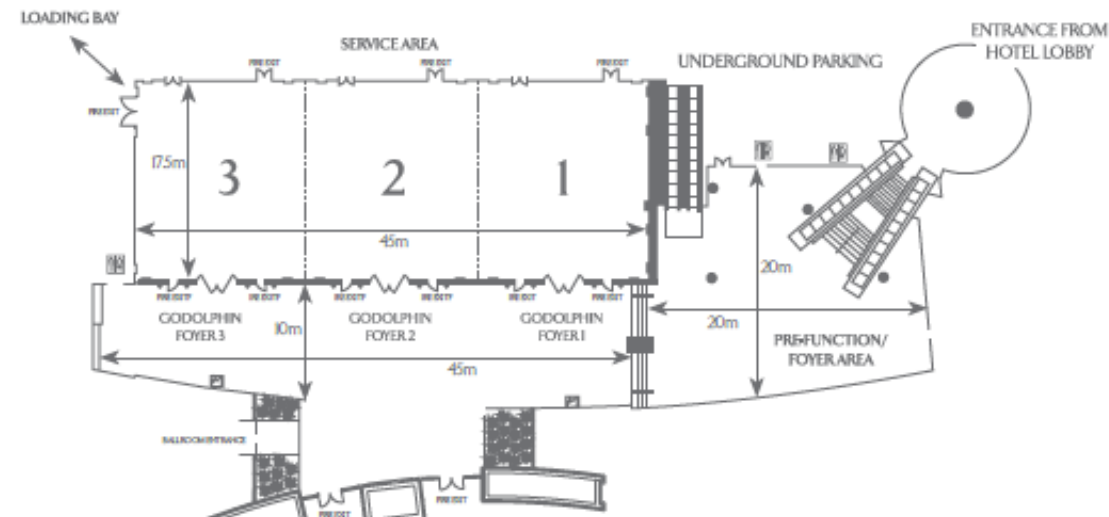




# JUMEIRAH EMIRATES TOWERS

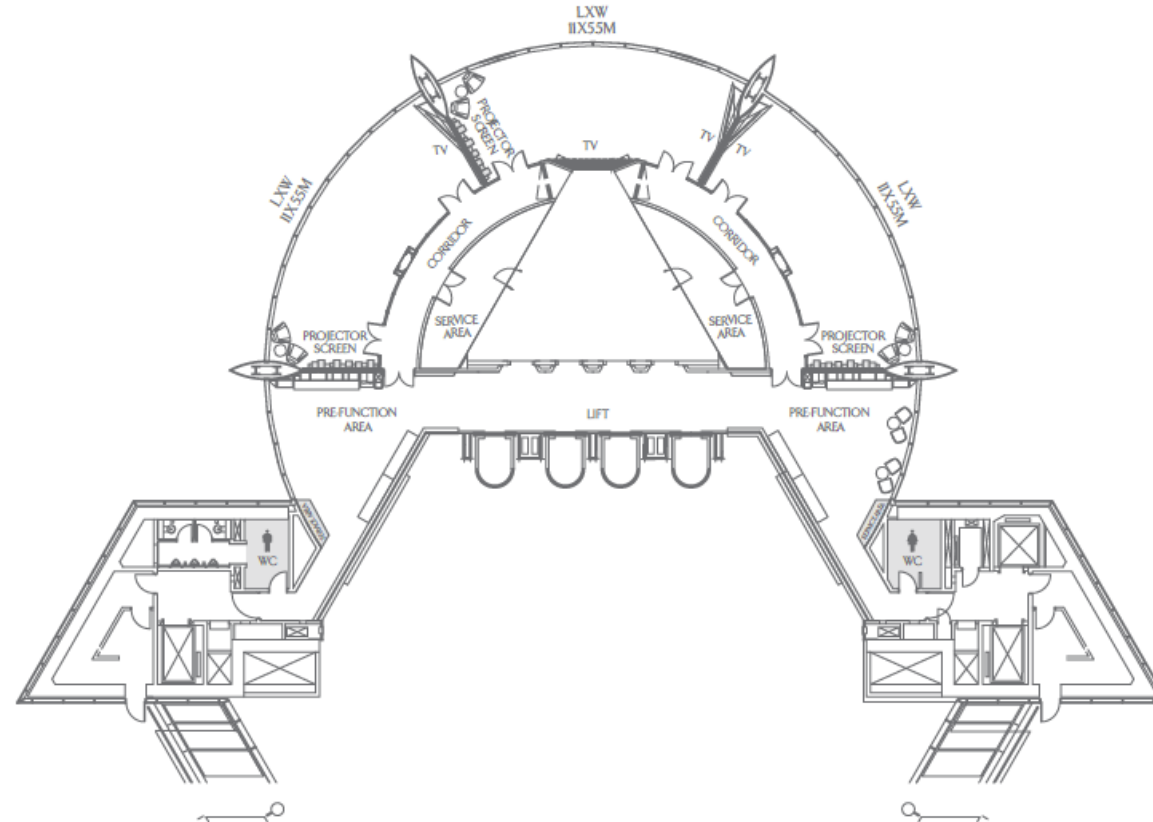
# GODOLPHIN BALLROOM



Venue	Area m <sup>2</sup>	Area sq. feet	Clear Height m/ft	Length m/ft	Width m/ft	Theatre Front	Classroom Front	Cabaret	Boardroom	U-Shape	Round 10	Set Dining	Cocktail
<b>BALLROOM</b>													
Codolphin 3/2/1 Individual	2625	2831	23/7	49/15	57/17.5	300	127	120	-	45	150	150	300
Codolphin 2&1	525	5651	23/7	98/30	57/17.5	600	300	240	-	90	300	300	600
Codolphin 3 & 2	525	5651	23/7	98/30	57/17.5	600	300	240	-	90	300	300	600
Codolphin	7875	8482	23/7	147/45	57/17.5	900	450	350	-	135	500	500	1000
Codolphin Foyer 3 2, 1 Combined	450	4844	26/8	147/45	33/10	-	-	-	-	-	-	-	800
Codolphin Foyer 4	400	4306	33/10	65/20	65/20	-	-	-	-	-	-	-	200

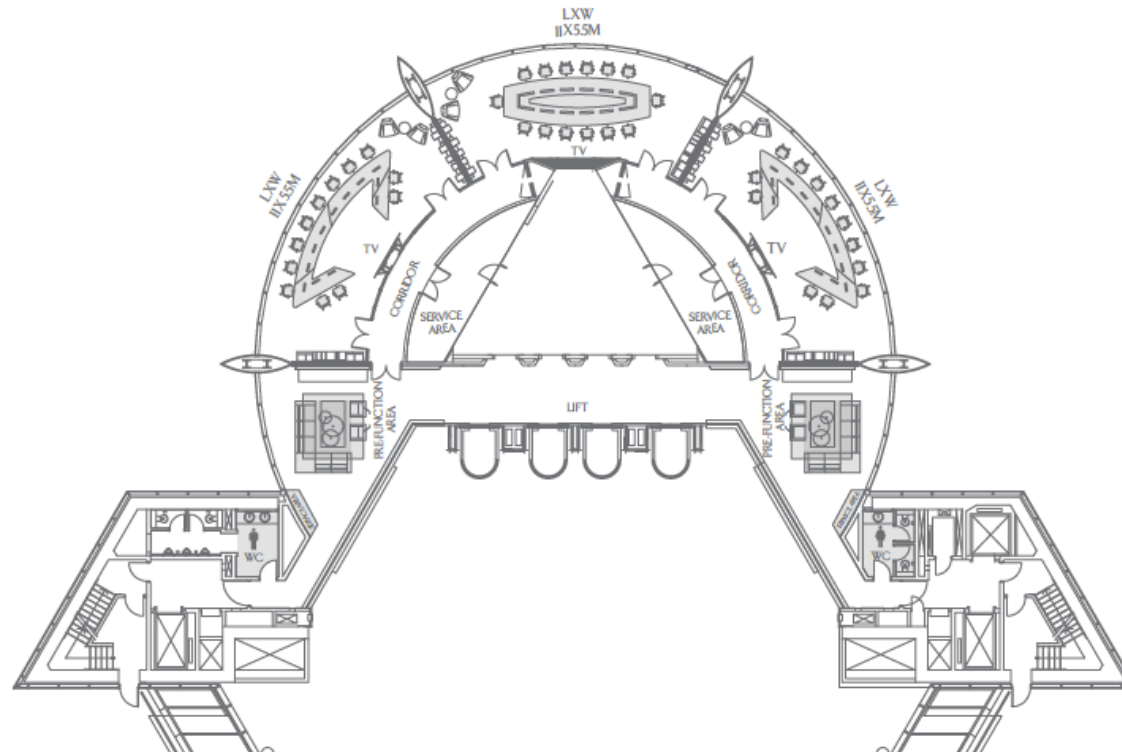
# PEARL, SAPPHIRE AND EMERALD MEETING SUITES

**Jumeirah**  
EMIRATES TOWERS  
STAY DIFFERENT™



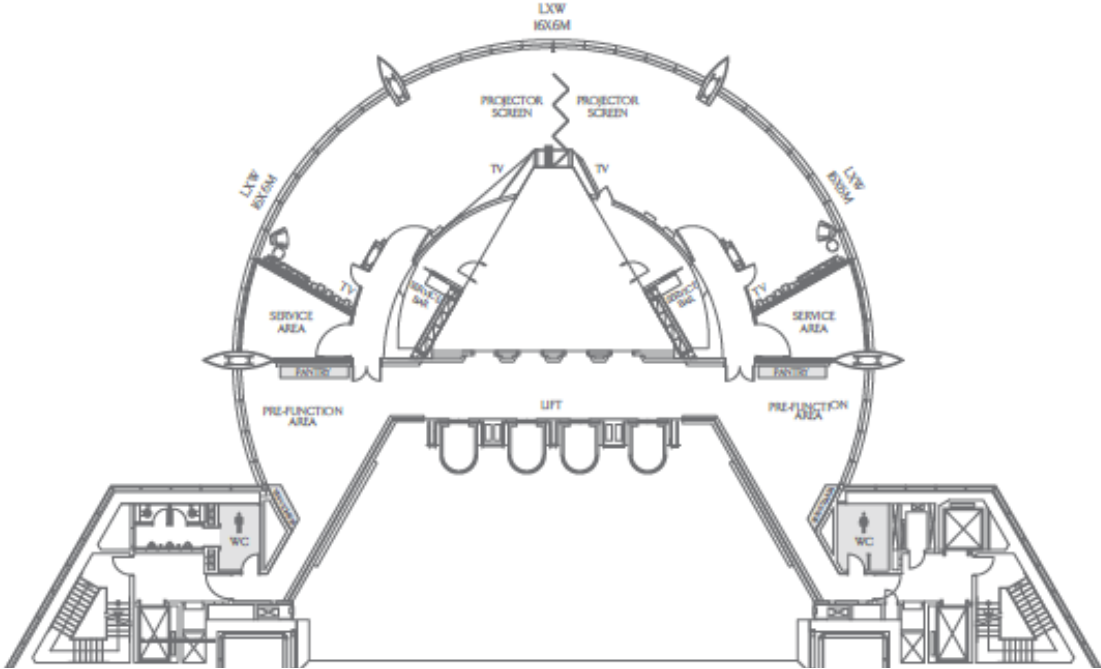
Venue	Area m <sup>2</sup>	Area sq. feet	Clear Height m/ft	Length m/ft	Width m/ft	Theatre Front	Classroom Front	Cabaret	Boardroom	U-Shape	Round 10	Set Dining	Cocktail
MEETING SUITES LEVEL 4.2 J													
Pearl, Sapphire, Emerald Suites	605	657	9.2/28	36/11	18/5.5	45	20	24	22	22	-	-	45

# DIAMOND MEETING SUITE



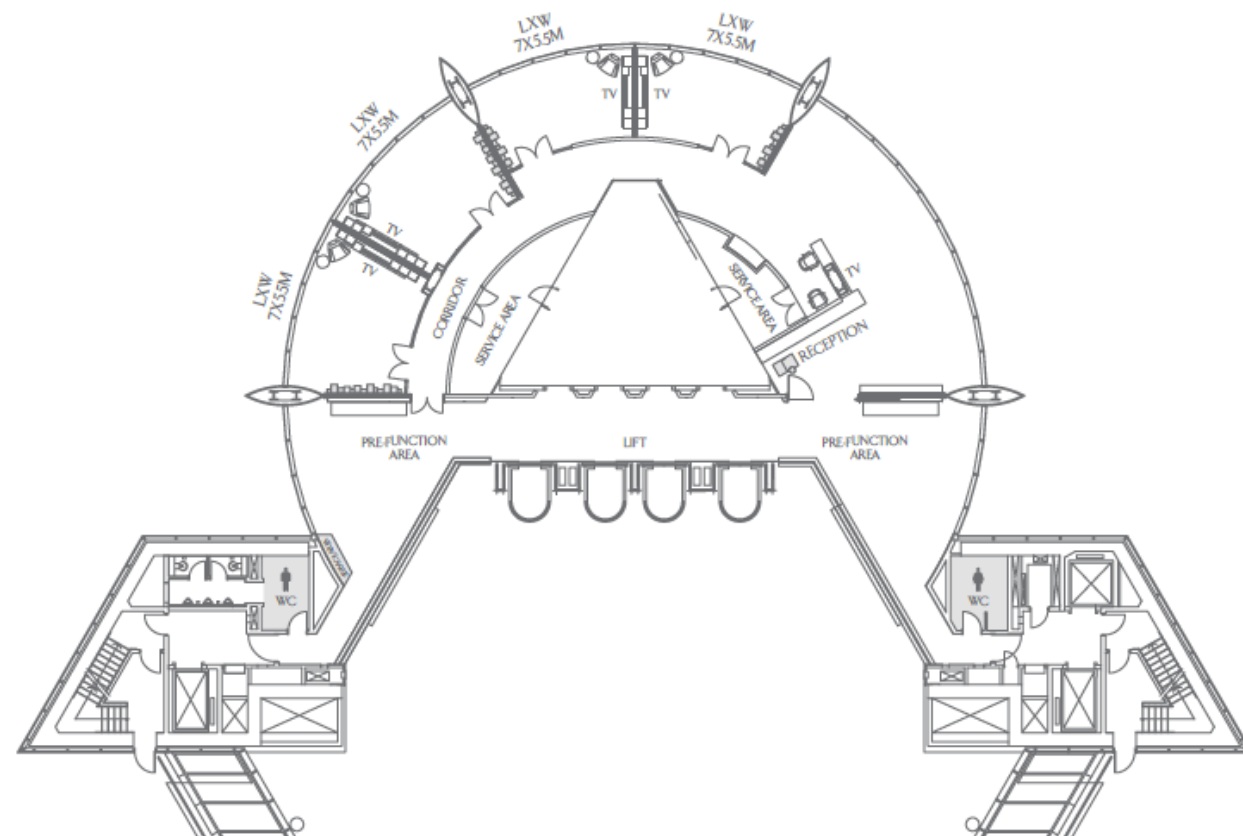
Venue	Area m <sup>2</sup>	Area sq. feet	Clear Height m/ft	Length m/ft	Width m/ft	Theatre Front	Classroom Front	Cabaret	Boardroom	U-Shape	Round 10	Set Dining	Cocktail
MEETING SUITES LEVEL 5													
Diamond Suites 1 or 3	605	657	92/28	36/11	18/55	-	-	-	12	-	-	-	-
Diamond Suite 2	605	657	92/28	36/11	18/55	-	-	-	14	-	-	-	-

# GOLD AND PLATINUM MEETING SUITES



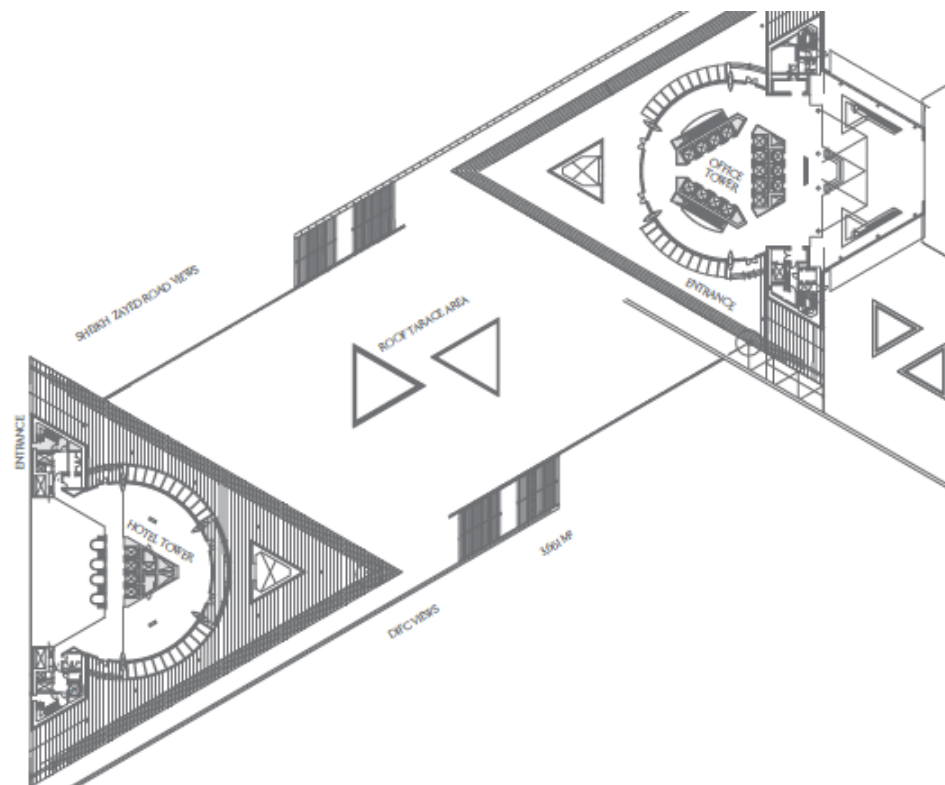
Venue	Area m <sup>2</sup>	Area sq. feet	Clear Height m/ft	Length m/ft	Width m/ft	Theatre Front	Classroom Front	Cabaret	Boardroom	U-Shape	Round IO	Set Dining	Cocktail
<b>MEETING SUITES LEVEL 7</b>													
Gold Suite 1	96	1033	9.2/28	52/16	19/6	70	36	40	30	28	50	50	60
Gold Suite 2	96	1033	9.2/28	52/16	19/6	70	32	32	30	28	40	40	60
Gold Suites 2 & 1	192	2067	9.2/28	105/32	19/6	-	-	-	-	-	-	-	100
<b>MEETING SUITES LEVEL 8</b>													
Platinum Suite 1	96	1033	9.2/28	52/16	19/6	70	30	32	30	28	40	40	60
Platinum Suite 2	96	1033	9.2/28	52/16	19/6	70	32	32	30	28	40	40	60
Platinum Suites 2 & 1	192	2067	9.2/28	105/32	19/6	-	-	-	-	-	-	-	100

# THE BIZ HUB BUSINESS CENTRE



Venue	Area m <sup>2</sup>	Area sq. feet	Clear Height m/ft	Length m/ft	Width m/ft	Theatre Front	Classroom Front	Cabaret	Boardroom	U-Shape	Round IO	Set Dining	Cocktail
BUSINESS CENTRE													
Boardrooms 4/3/2/1 Individual	385	420	9.2/28	23/7	18/55	-	-	-	10	-	-	-	-

# THE OUTDOOR TERRACE



Venue	Area m <sup>2</sup>	Area sq. feet	Clear Height m/ft	Length m/ft	Width m/ft	Theatre Front	Classroom Front	Cabaret	Boardroom	U-Shape	Round IO	Set Dining	Cocktail
<b>OUTDOOR</b>													
Terrace Between the Towers	3661	39403	-	134/41	105/32	-	-	320	-	-	400	400	850

The logo features the word "Jumeirah" in a serif font with a stylized flame icon above the letter 'i'. Below it, the words "EMIRATES TOWERS" are written in a smaller, all-caps sans-serif font.  
Jumeirah  
EMIRATES TOWERS  
STAY DIFFERENT™